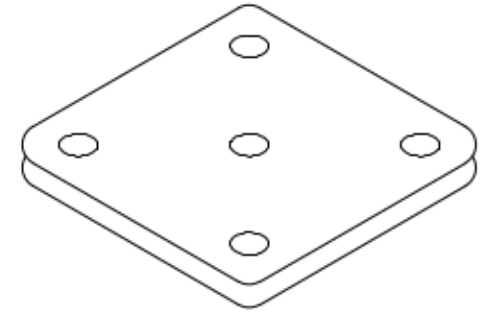
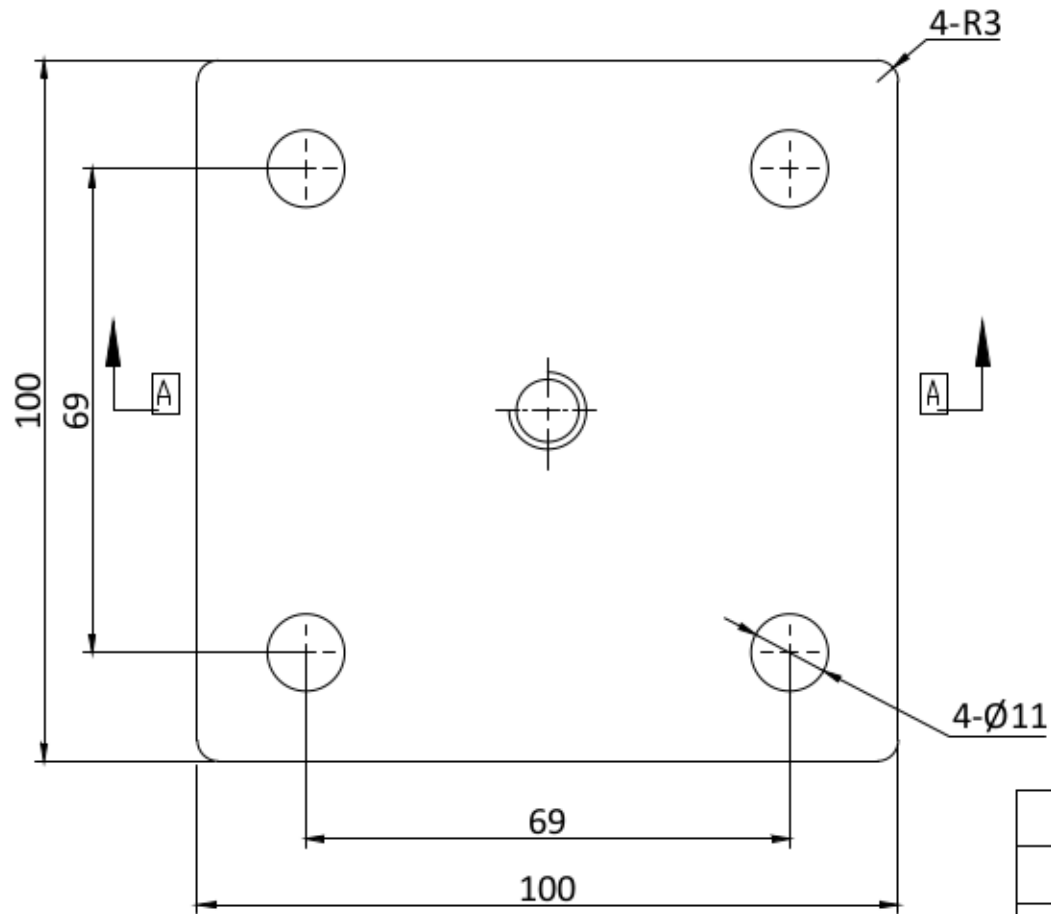
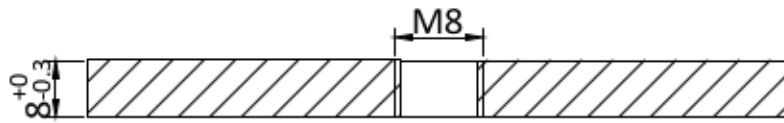
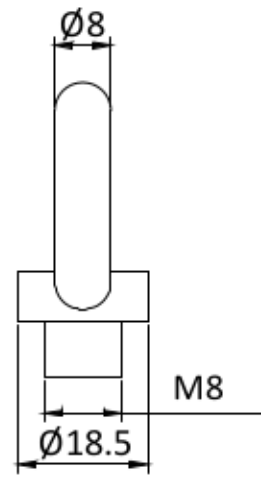
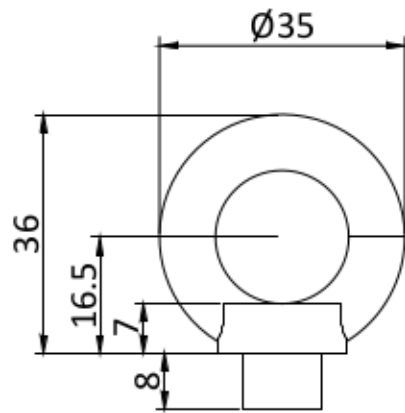


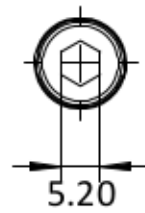
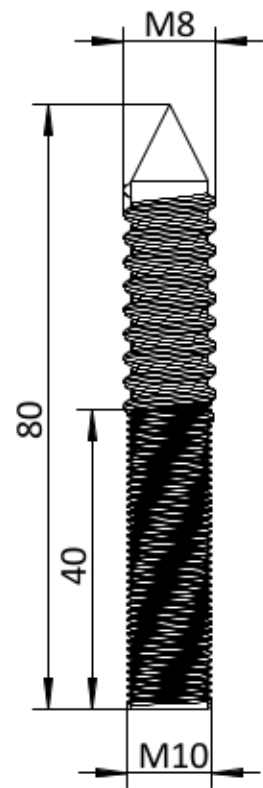
125.0050		1:1	A1
		SS304	



125.0050		1:1	A1
		SS304	



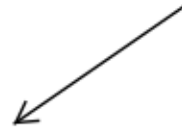
125.0050		1:1	A0
		SS304	



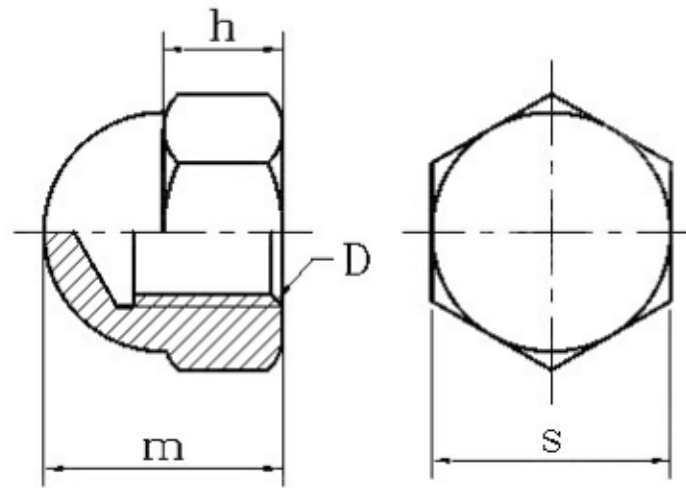
		1:1	A0
		SS304	



12*60

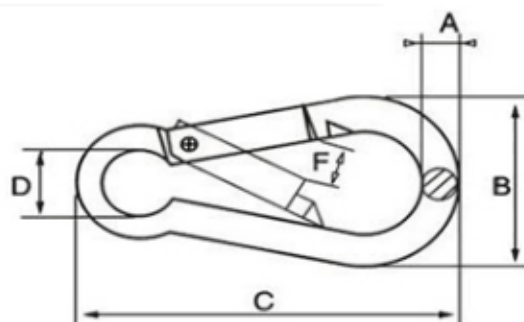


			1:1	A0
			PP	



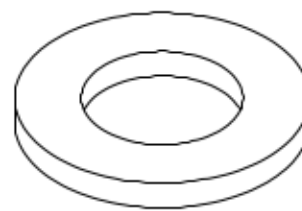
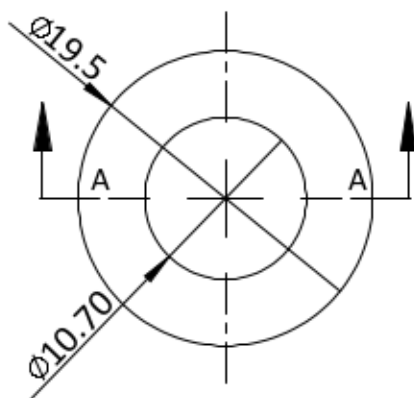
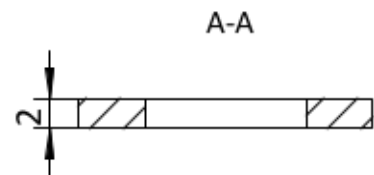
D	P	h	m	s	
				max	min
M3	0.5	2.5	6	5.5	5.32
M4	0.7	3	7	7	6.78
M5	0.8	4	9	8	7.78
M6	1	5	11	10	9.78
M8	1/1.25	6	15	13	12.73
M10	1/1.25/1.75	8	18	17	16.73
M12	1.25/1.5/1.75	10	22	19	18.7
M14	1.5/2	11	24	22	21.67
M16	1.5/2	13	26	24	23.67
M18	1.5/2/2.5	14	29	27	26.16
M20	1.5/2/2.5	16	32	30	29.16
M22	1.5/2/2.5	18	35	34	33

		1:1	A0
		SS304	



	mm						
	A	B	C	D	F	↑	kg/个
M4*40	3.93	19.70	40.70	6.10	5.00	54	0.008
M5*50	4.90	25.18	50.20	8.10	7.00	90	0.015
M6*60	5.80	28.90	60.50	9.40	7.80	135	0.026
M7*70	6.84	34.70	70.00	11.20	8.00	150	0.041
M8*80	7.82	40.30	80.30	12.00	11.00	181	0.070
M9*90	8.84	44.50	89.45	13.00	12.00	245	0.090
M10*100	9.74	49.50	100.80	16.00	12.00	295	0.122
M11*120	10.81	58.00	120.80	18.00	14.00	355	0.185
M12*140	11.73	68.50	140.50	20.30	23.00	431	0.252

		1:1	A0
		SS304	



		2:1	A0
		SS304	