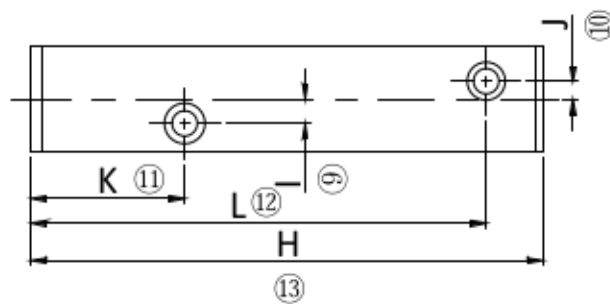
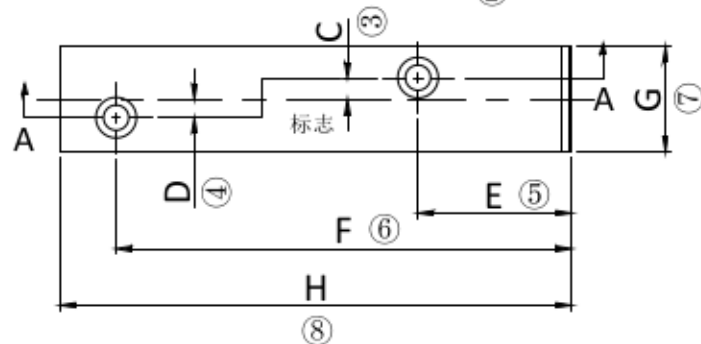
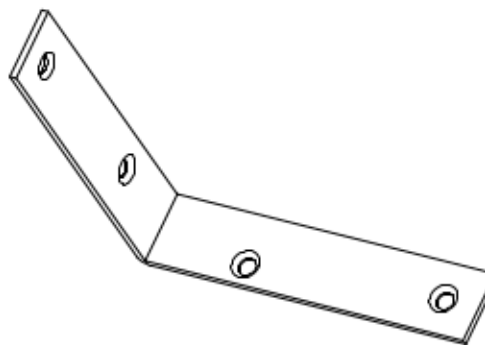
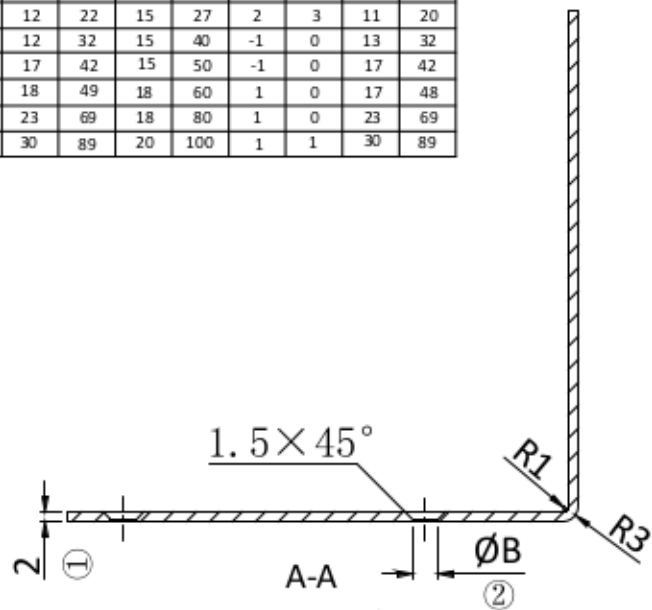


	φB	C	D	E	F	G	H	I	J	K	L
120.0010	φ5	1.5	4	12	22	15	27	2	3	11	20
120.0015	φ4	-2	1	12	32	15	40	-1	0	13	32
120.0020	φ5	-2	1	17	42	15	50	-1	0	17	42
120.0025	φ5	1	0	18	49	18	60	1	0	17	48
120.0030	φ5	1	1	23	69	18	80	1	0	23	69
120.0035	φ5	1	1	30	89	20	100	1	1	30	89



		SS304	