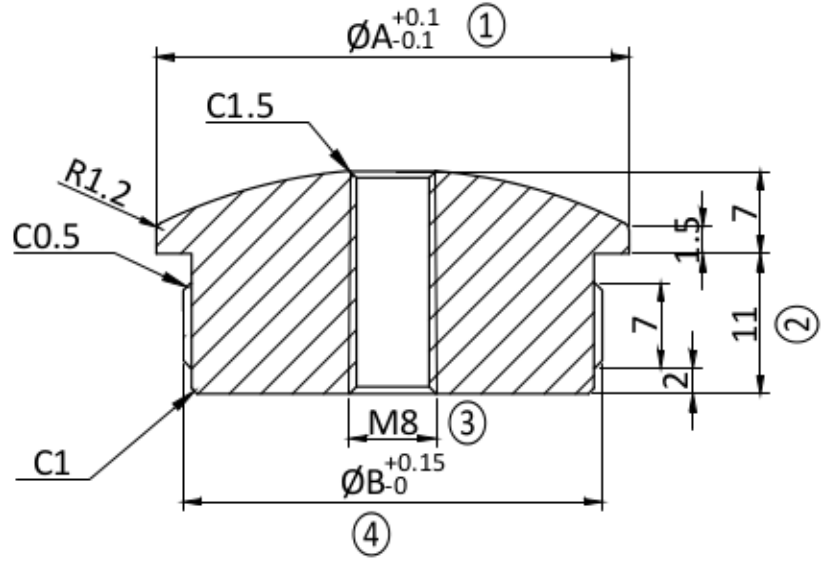


Rz3.2



		A	B
	100.7130	Ø42.4	38.7
	100.7125	Ø33.7	30

		2:1	A1
		SS304	
			2018.3.12