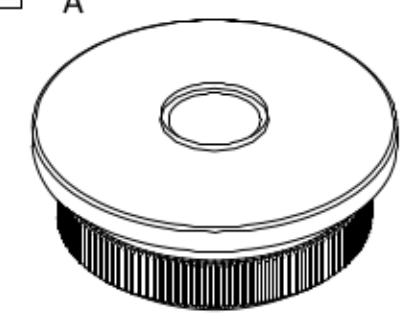


← A $\sqrt{Rz3.2}$

← A



100.7120		4:1	A0
		SS304	
		32g	2019.10.31