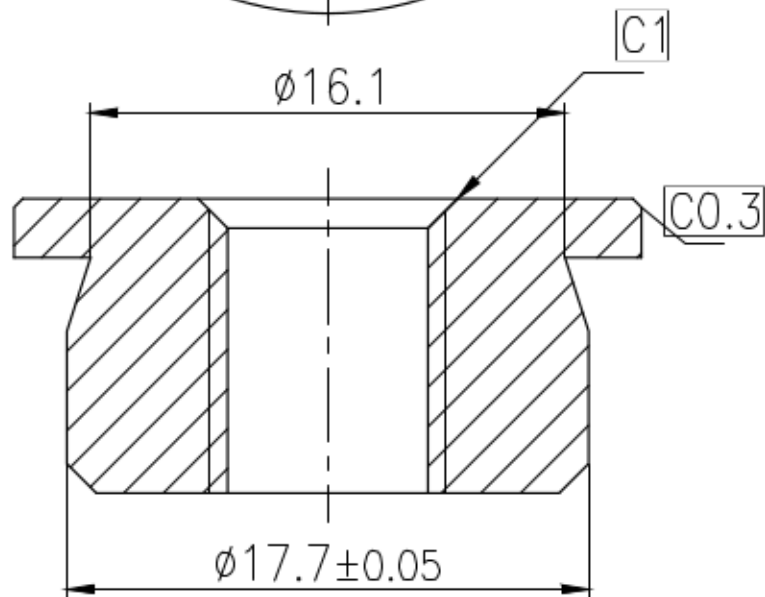


Dis0.8



3.2

		0.5-6	>6-30	>30-120	>120-400	>400-1000	>1000-2000	10	>10-50	>50-120	>120-400
		± 0.1	± 0.2	± 0.3	± 0.5	± 0.8	± 1.2	$\pm 1^\circ$	$\pm 30'$	$\pm 20'$	$\pm 10'$
		AISI 304									
		S						1:1			