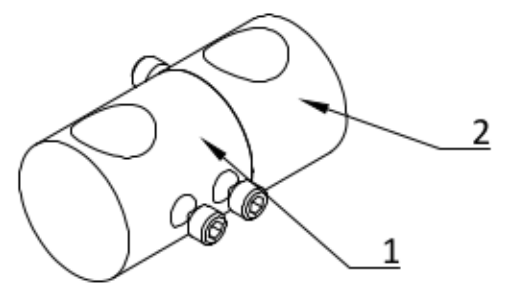
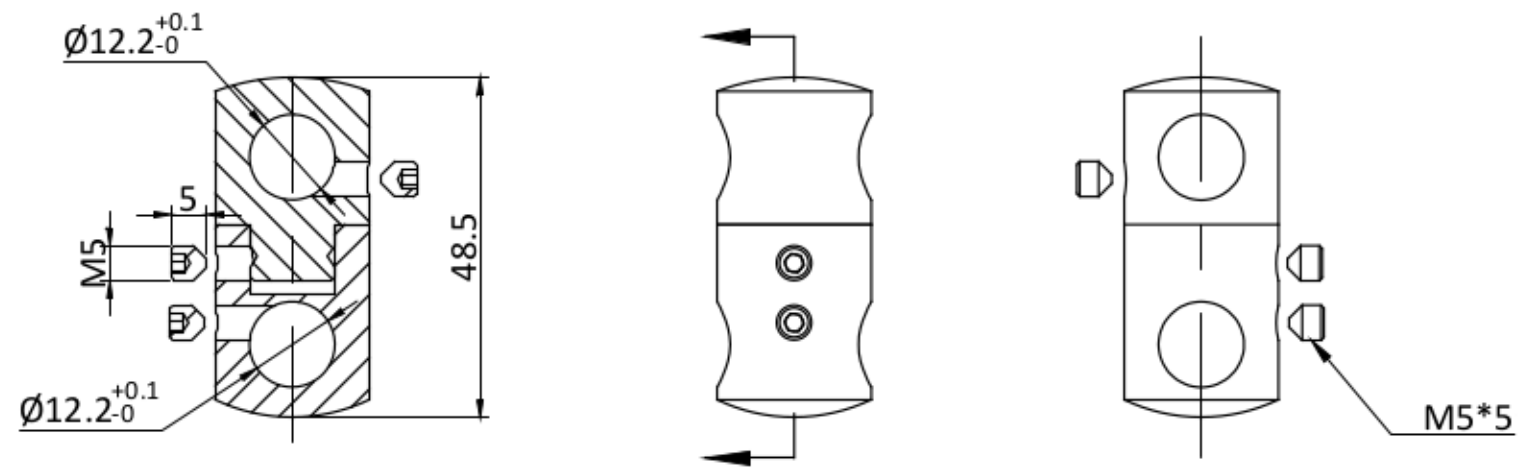
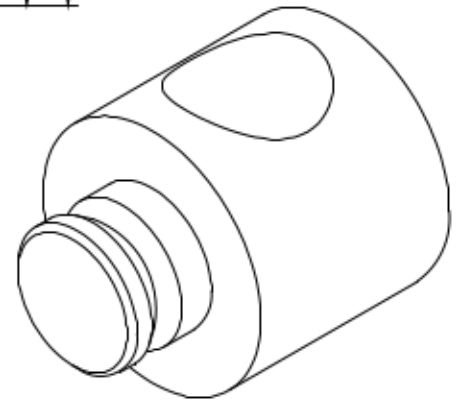
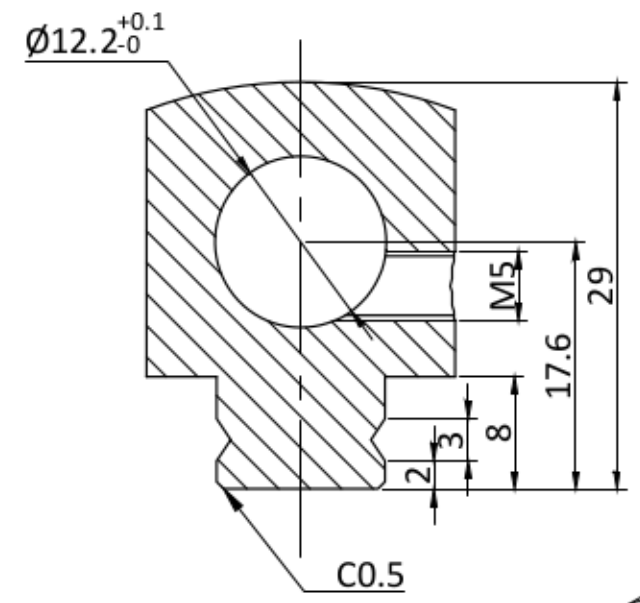
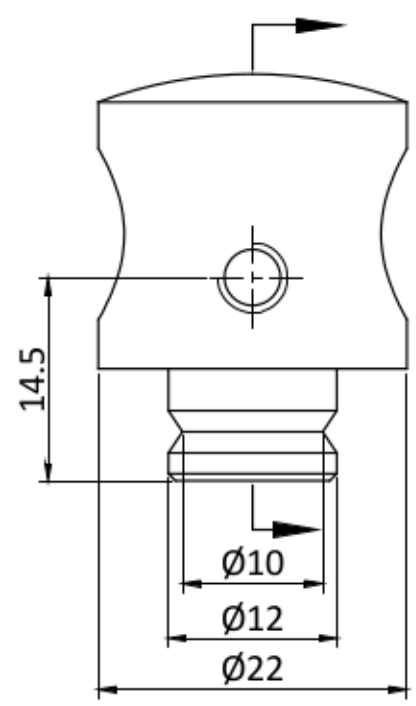


Rz3.2



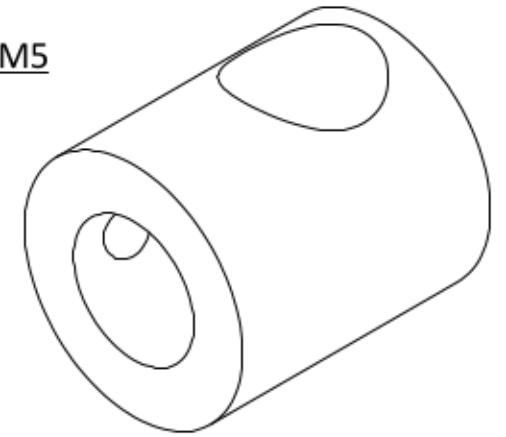
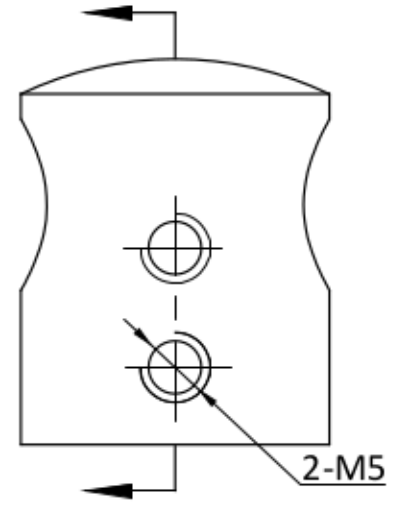
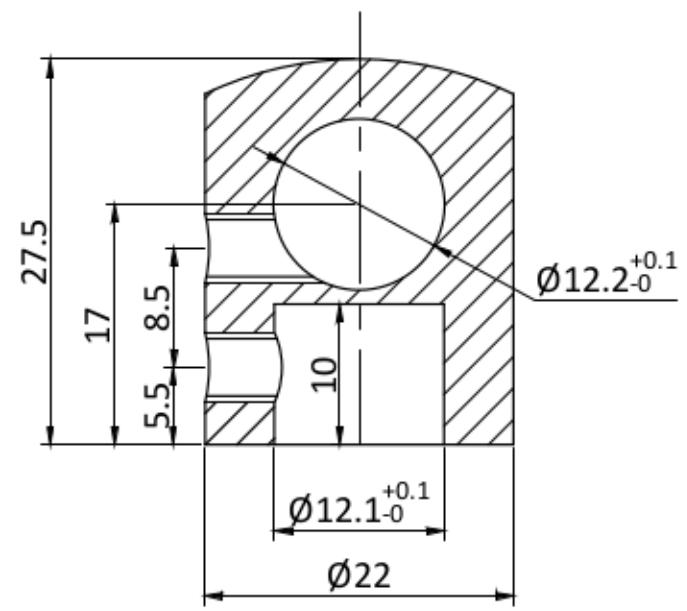
2	SS304	100.6930-2	1	
1	SS304	100.6930-1	1	
100.6930			1:1	A0
			SS304	
				2017.3.7

Rz3.2



100.6930-2		2:1	A0
		SS304	
			2017.3.7

Rz3.2



100.6930-1		2:1	A0
		SS304	
			2017.3.7