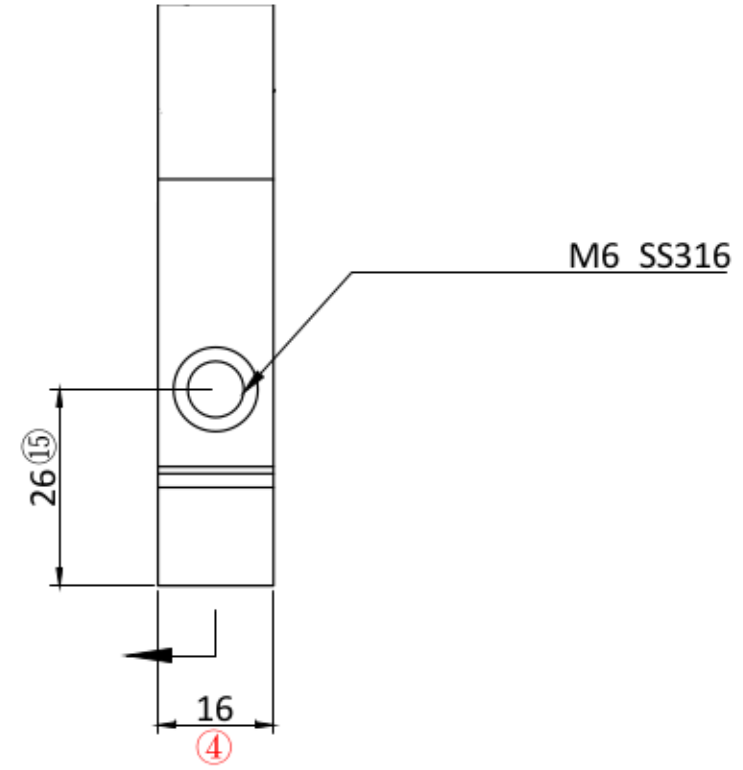
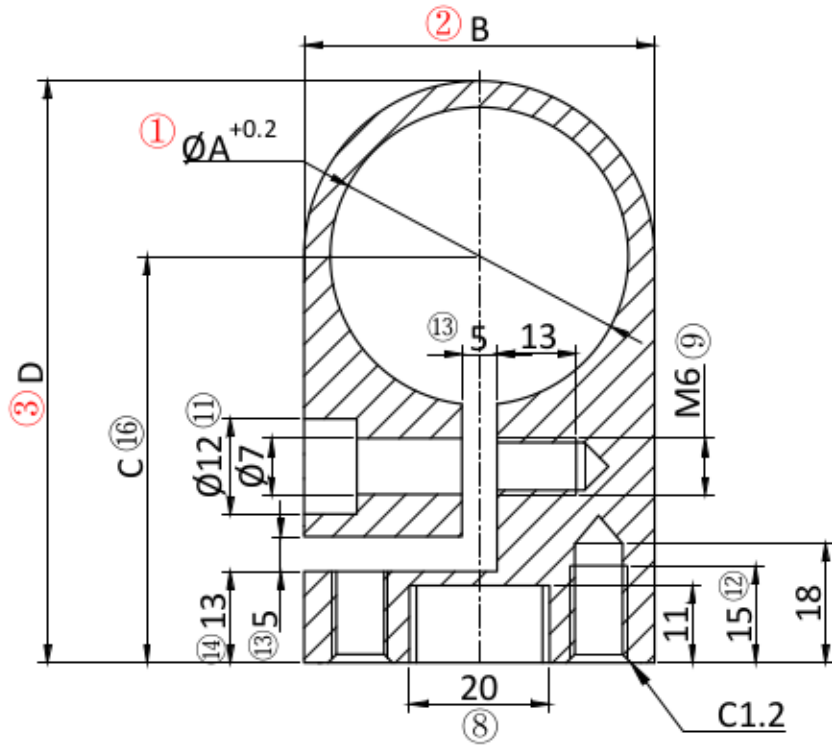


	$\varnothing A^{+0.2}$	B	C	D	E
100.6260	33.7	45	52.5	75	M6X25
100.6265	42.4	49	56	80.5	M6X25
	48.3	55	59	86.5	M6X30

Rz3.2

① ② ⑬ ③ ⑩



		1:1	Al
		AISI316	
			2017. 3. 16