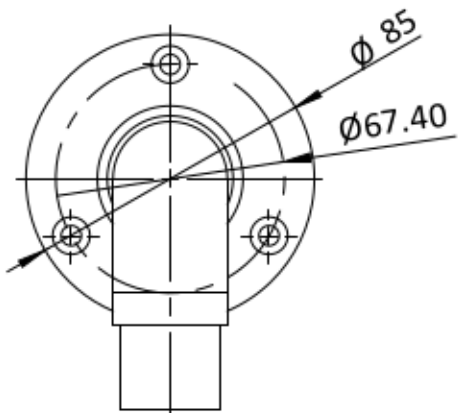
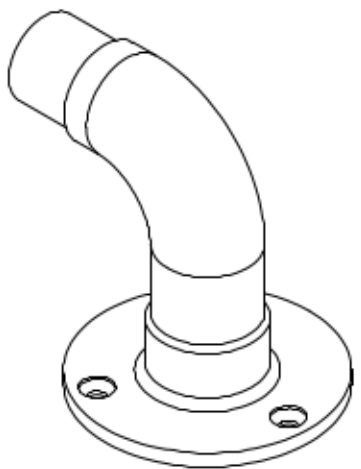


$\sqrt{Rz3.2}$



		1:2	A0
		SS316	
		0.39KG	