

Dim. range	0,5 - 6,0	6,0 - 30,0	30,0 - 120,0	120,0 - 400,0
Tolerance	± 0,1	± 0,2	± 0,3	± 0,5

Untolerated dimensions: ISO 2768 - mK

Quality: AISI 304

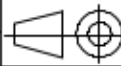
Drew:

Controlled:

Date:

Name:

Model:



Scale:

2:1

Wight (g): 29.76

Project:

PART 1

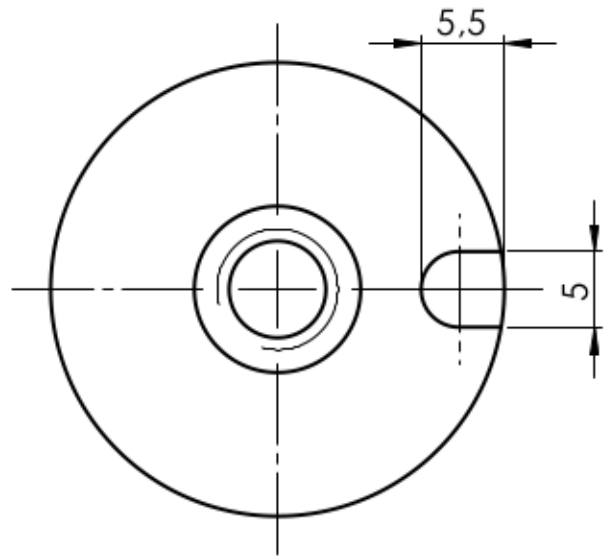
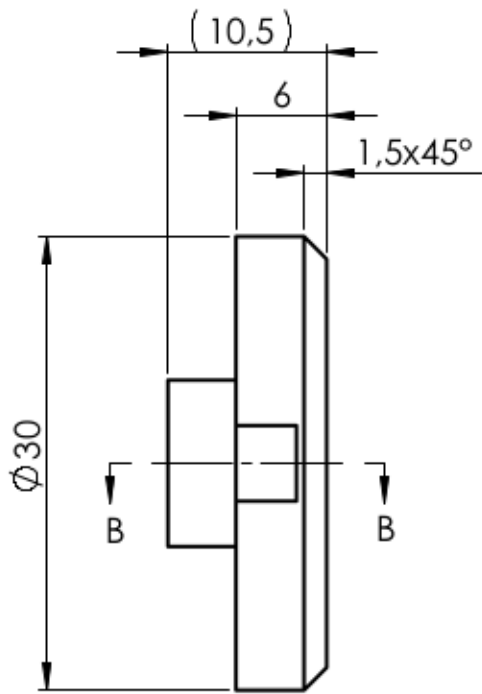
100.4970

A4

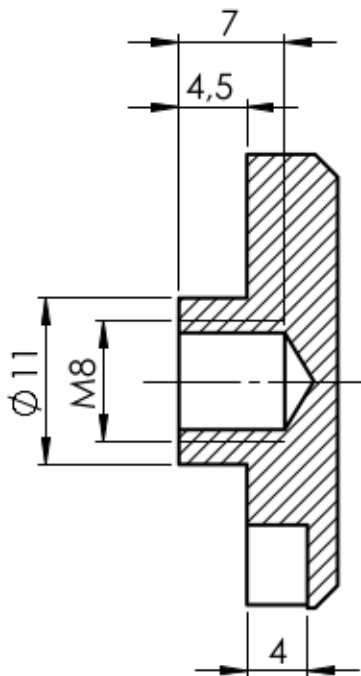
Number of sheets: 4

Sheet: 2

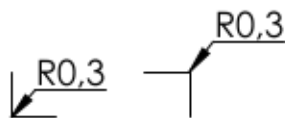
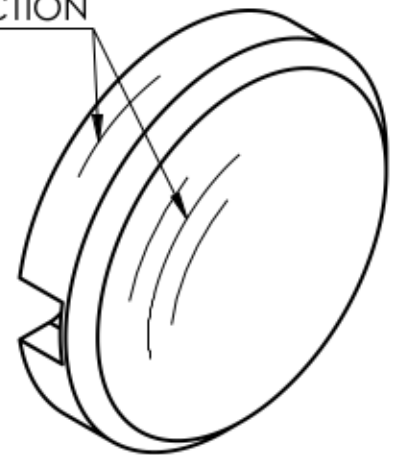
Drawing:



SECTION B-B



SATIN DIRECTION



Dim. range	0,5 - 6,0	6,0 - 30,0	30,0 - 120,0	120,0 - 400,0
Tolerance	± 0,1	± 0,2	± 0,3	± 0,5

Untolerated dimensions: ISO 2768 - mK

Quality: AISI 304

Drew:

Controlled:

Date:

Name:

PART 2



Scale:

2:1

Wight (g): 33.78

Project:

100.4970

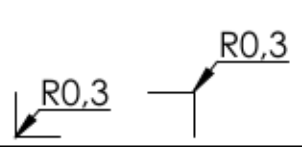
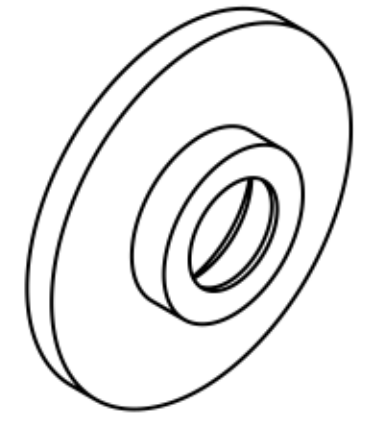
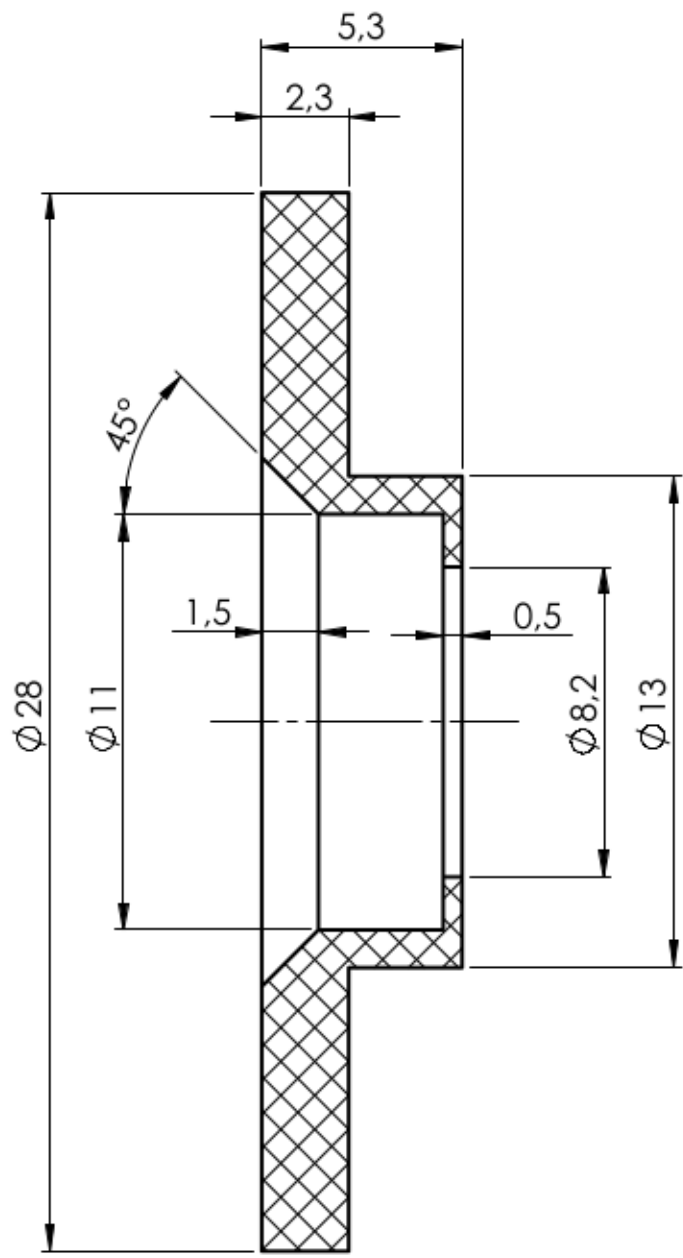
A4

Number of sheets: 4

Sheet: 3

Model:

Drawing:



Dim. range	0,5 - 6,0	6,0 - 30,0	30,0 - 120,0	120,0 - 400,0
Tolerance	± 0,1	± 0,2	± 0,3	± 0,5

Untolerated dimensions: ISO 2768 - mK				
Quality:	Rubber 65 ShA			
Drew:		Scale:		
Controlled:		5:1	Wight (g):	1.29
Date:			Project:	
Name:	PART 3		100.4970	
Model:			Number of sheets: 4	Sheet: 4
			Drawing:	

A4