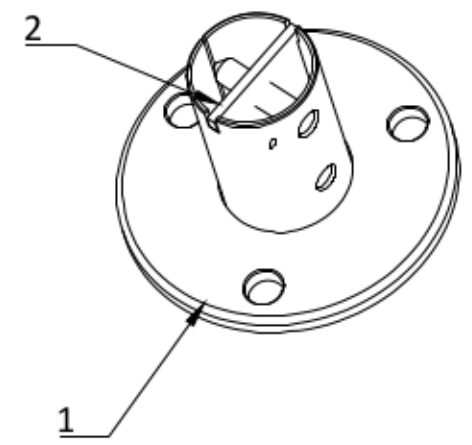
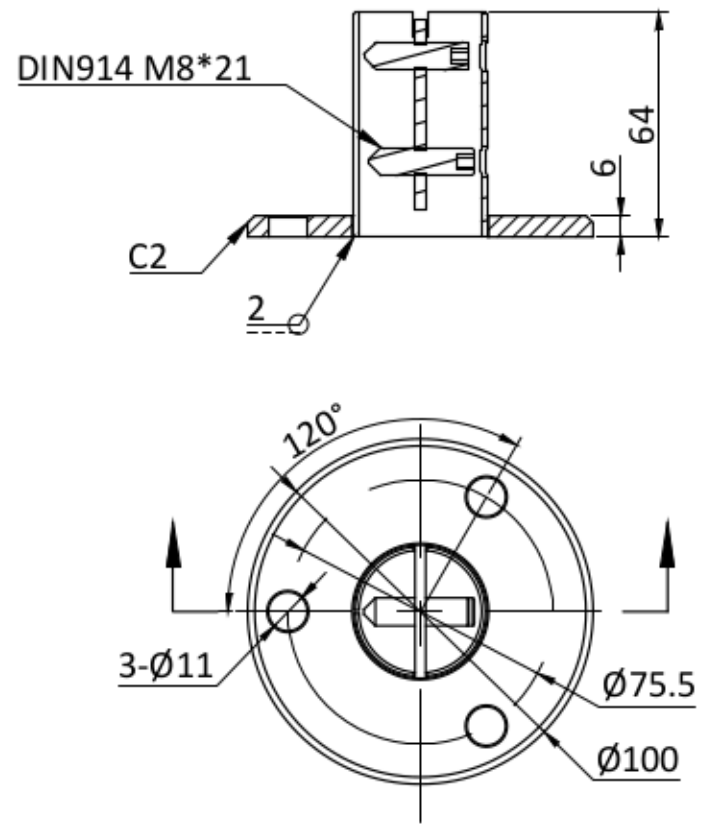
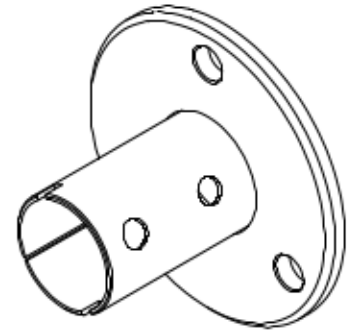
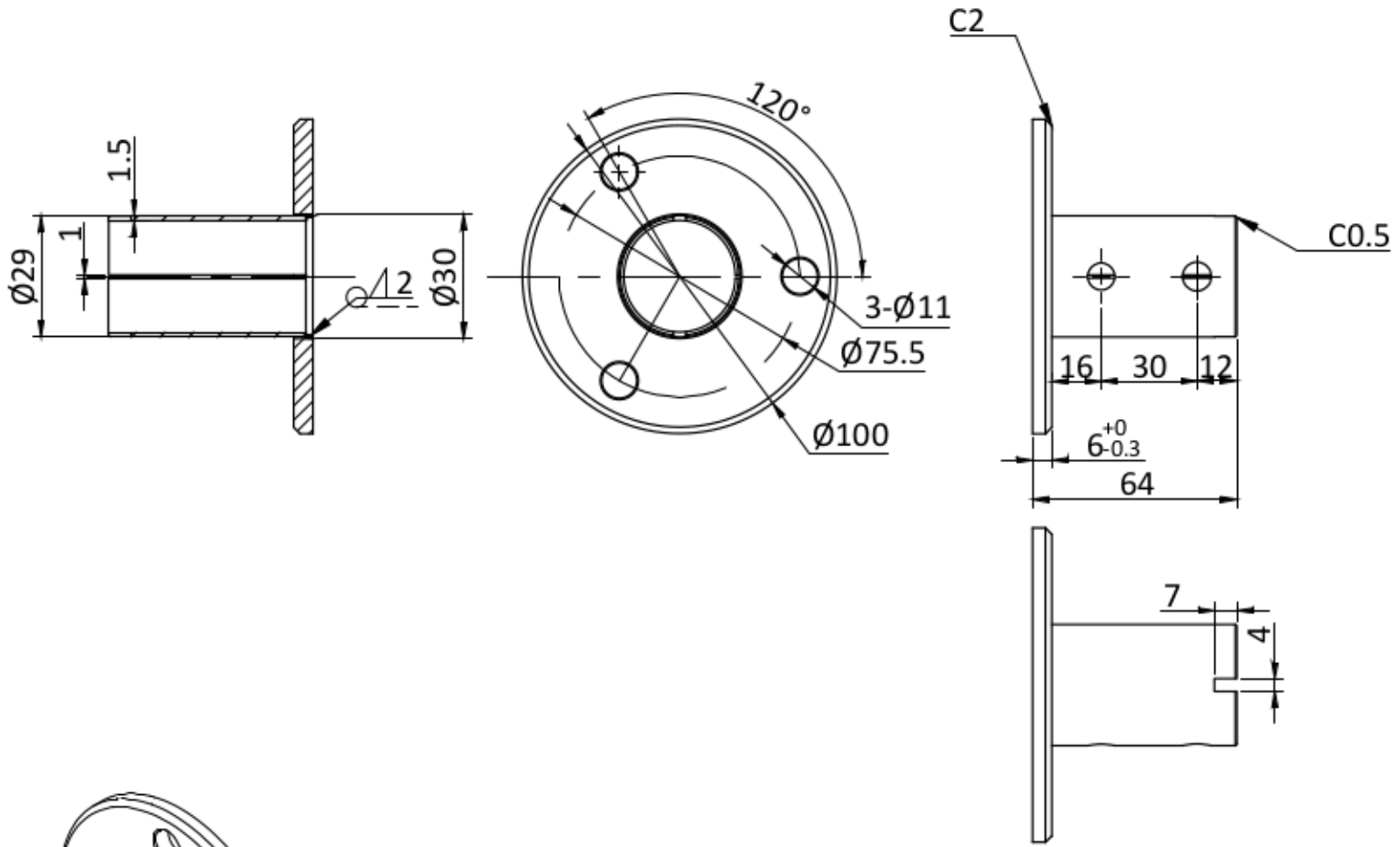


Rz3.2



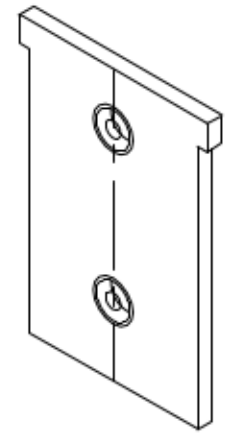
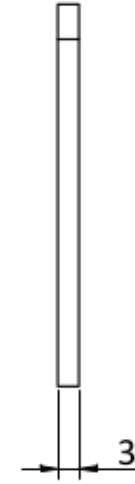
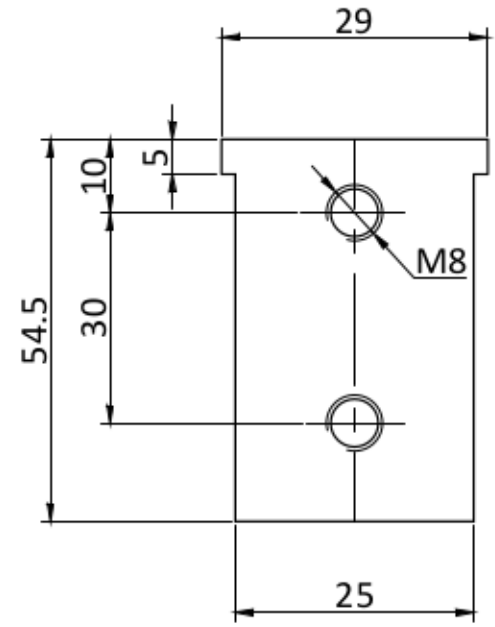
2	SS304	3101.33.082-2	2	
1	SS304	3101.33.082-1	1	
100.4682			1:2	A0
			SS304	

Rz3.2



		1:2	A0
		SS304	

Rz3.2



		1:1	A0
		SS304	