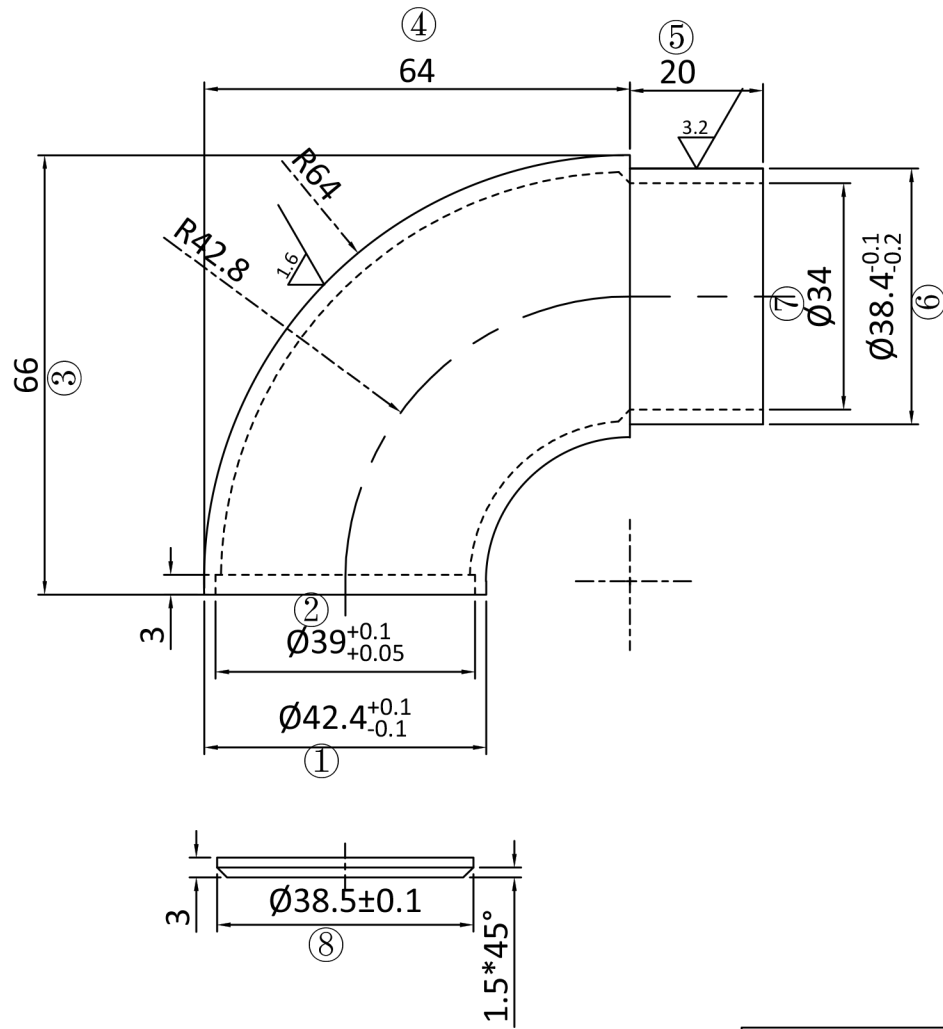


$\sqrt{Rz3.2}$



100.4330		1:1	A0
			2016.6.16