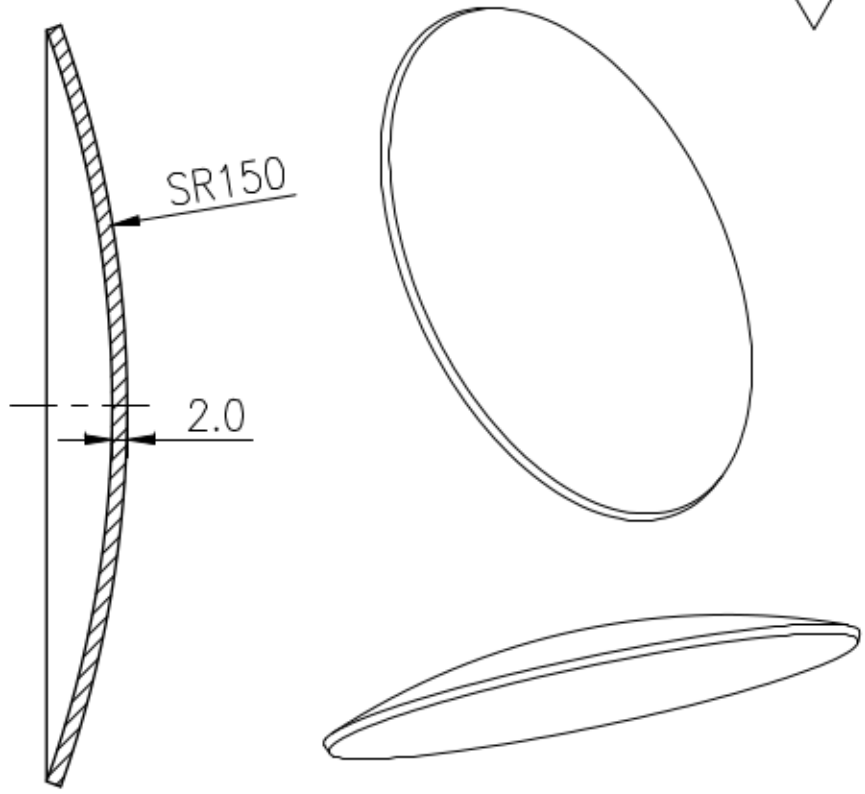
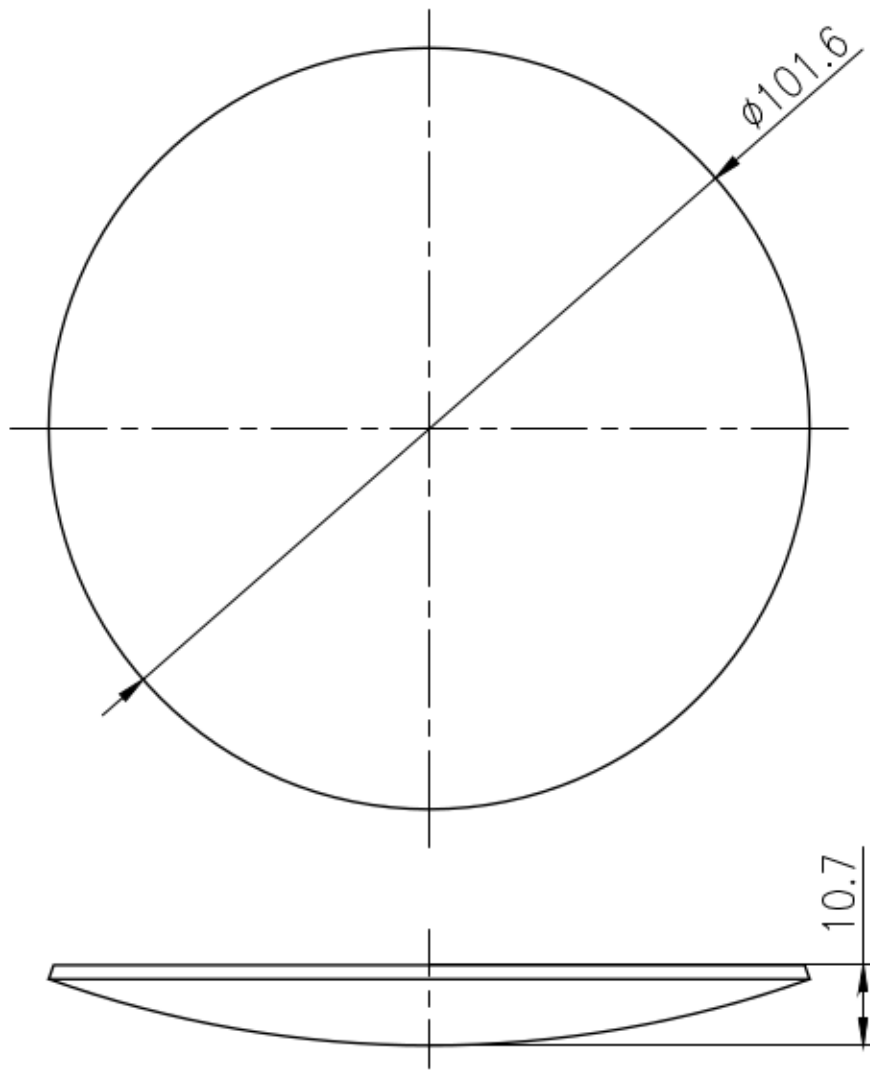


3.2



							10	>10-50	>50-120	>120-400
							$\pm 1^\circ$	$\pm 30'$	$\pm 20'$	$\pm 10'$
	0.5-6	>6-30	>30-120	>120-400	>400-1000	>1000-2000				
	± 0.1	± 0.2	± 0.3	± 0.5	± 0.8	± 1.2				
							AISI 316			
							S			
								1:1		
									169.101.11.04.H.RAW	