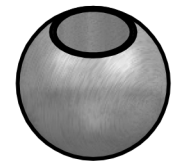
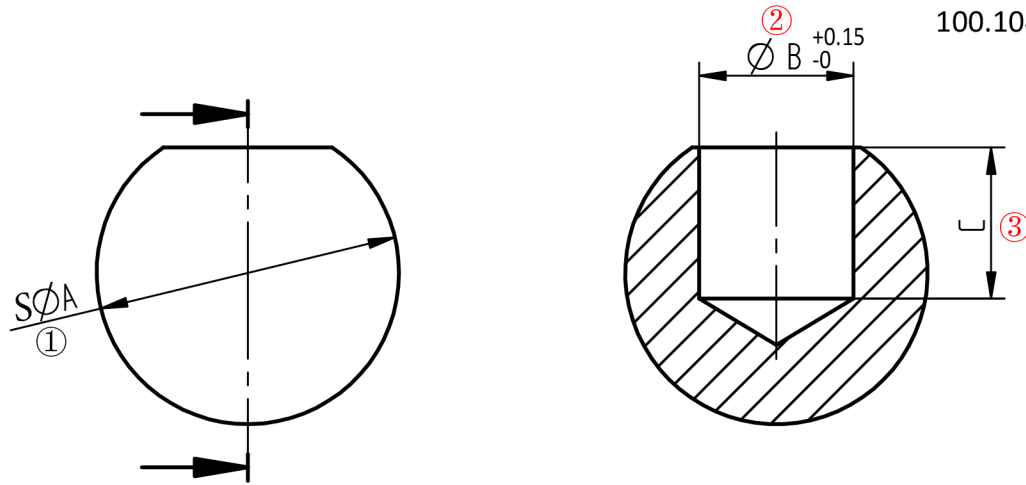


NO.	$\phi$ A	$\phi$ B	L	Material	
100.0970	611.2010.12	20,0	10.05	12.0	SS304
100.9660	611.2012.14	20,0	12.05	13.0	SS316
100.0980	611.2014.12	20,0	14.05	11.0	SS304
100.1000	611.2512.22	25,0	12.05	15.0	SS304
100.1005	611.2514.12	25,0	14.05	14.0	SS304
100.1045	611.3010.12	30,0	10.05	16.0	SS304
100.1050	611.3012.12	30,0	12.05	19.0	SS304
100.1055	611.3014.12	30,0	14.05	19.0	SS304
100.0995	611.2510.12	25,0	10.05	15.0	SS304
100.1040	611.2008.12	20,0	8.05	12.0	SS304



		2:1	A2
		SS304	
			2017.07.19