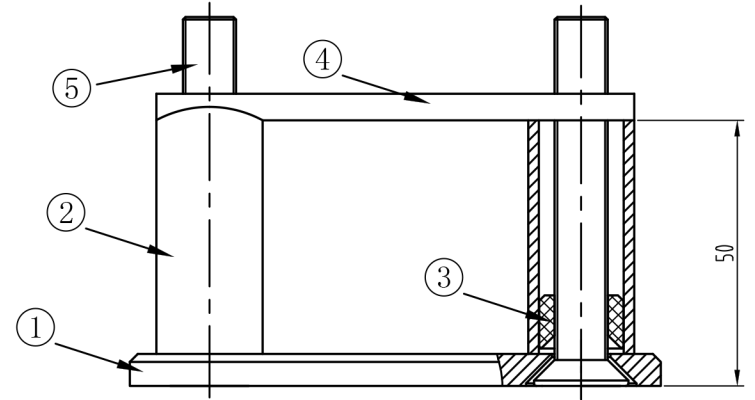
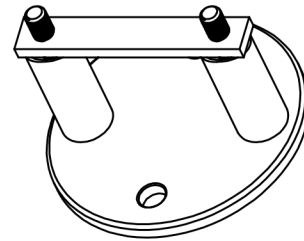


B-B



1	414.100.06.04-BP-11		1
2	RF18-20-42-04-44		2
3	805-PF	POM	2
4	RF10-00.M10.04		1
5	DIN7991 M10X75		2

										<p>AISI 316</p>					
										<p>S</p>				<p>1:1</p>	
														<p>805.42.04-50</p>	