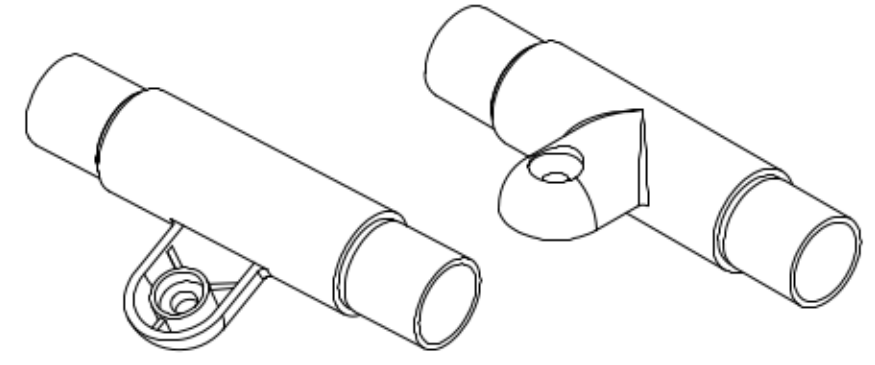
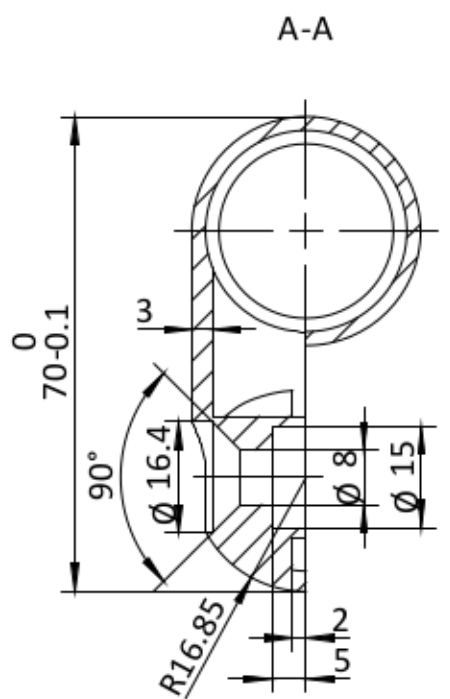
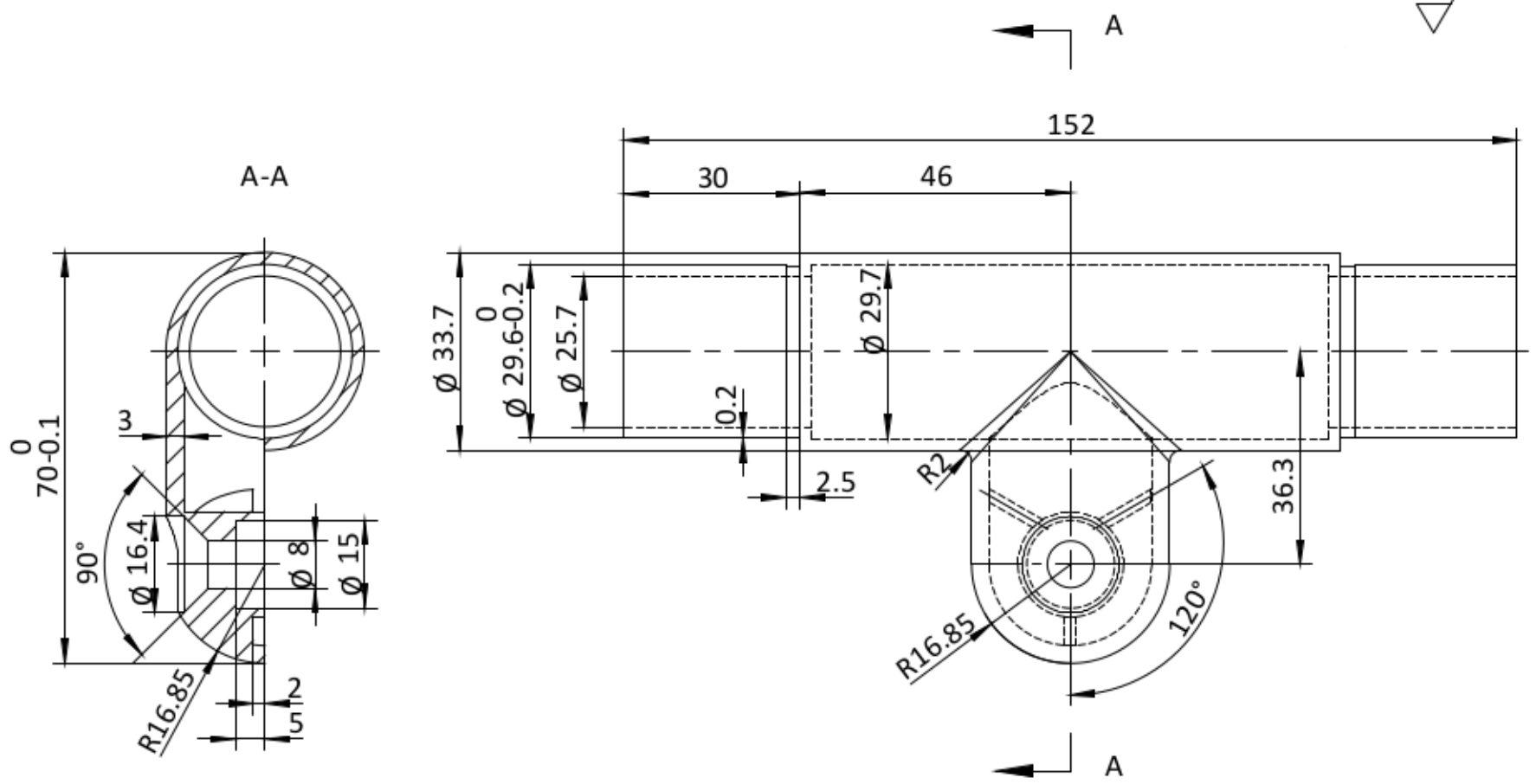


3  
DIN7991 M8x20

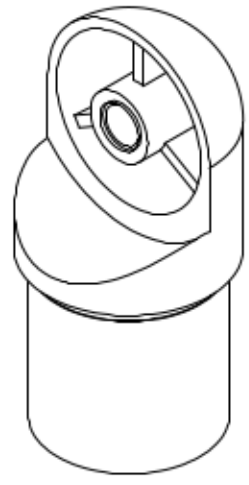
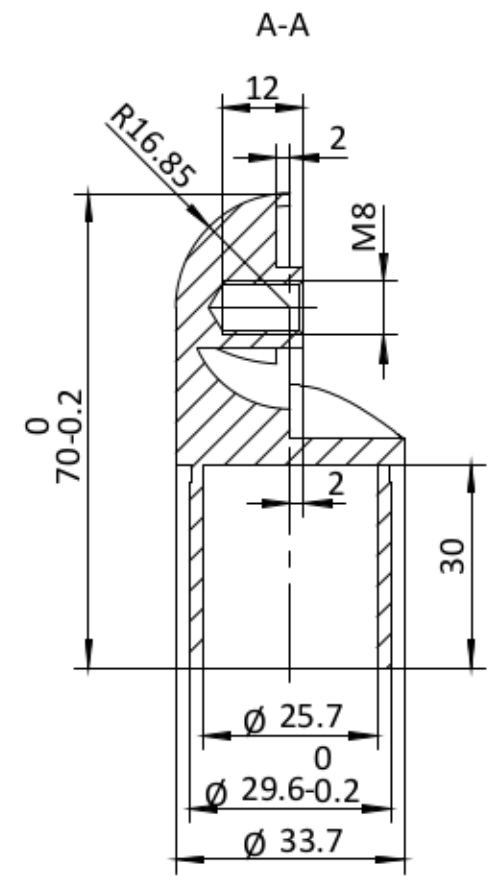
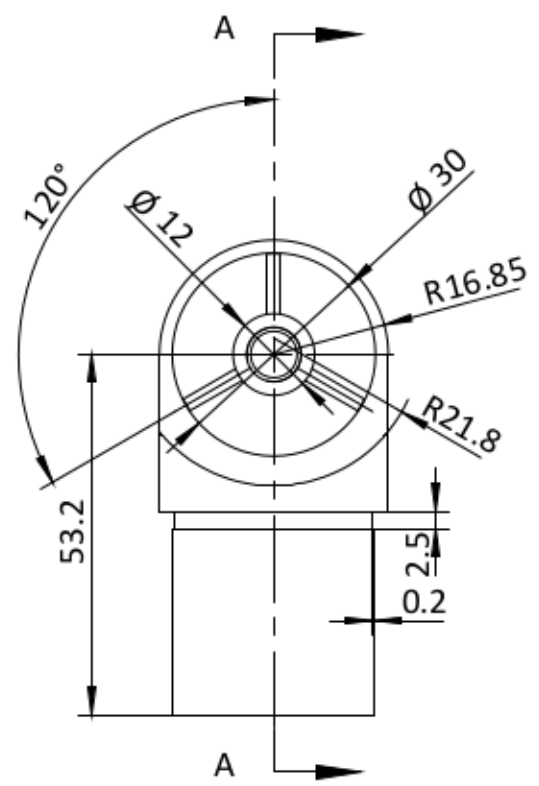
		1:1	A0
		0.423KG	2019.6.19
	52033.330.012		

Rz3.2



		1:1	A0
		SS304	
		0.282KG	2019.6.20
	52033.330.012		

Rz3.2



		1:1	A0
		SS304	
		0.139KG	2019.6.19
	52033.330.012		