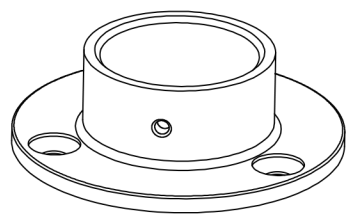
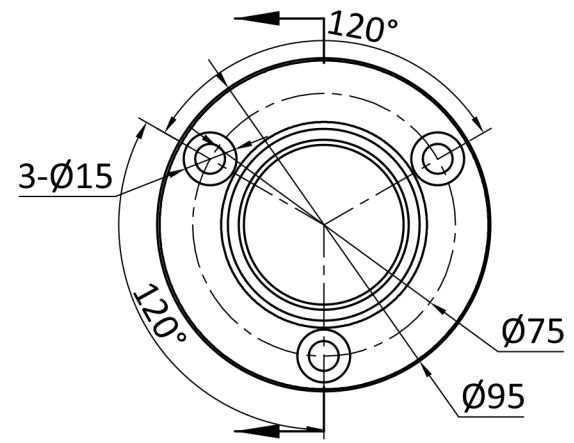
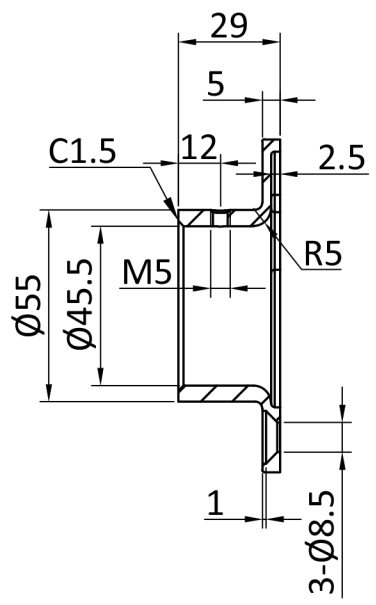
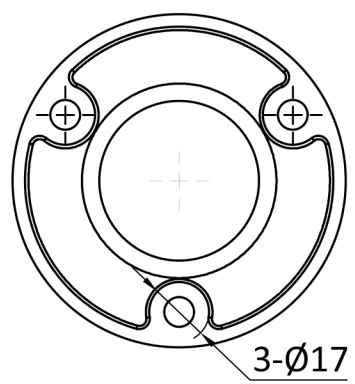


Rz3.2



| | | | |
|----------|--|-------|-----------|
| 100.8440 | | 1:2 | A0 |
| | | SS304 | |
| | | | 2017.3.17 |
| | | | |